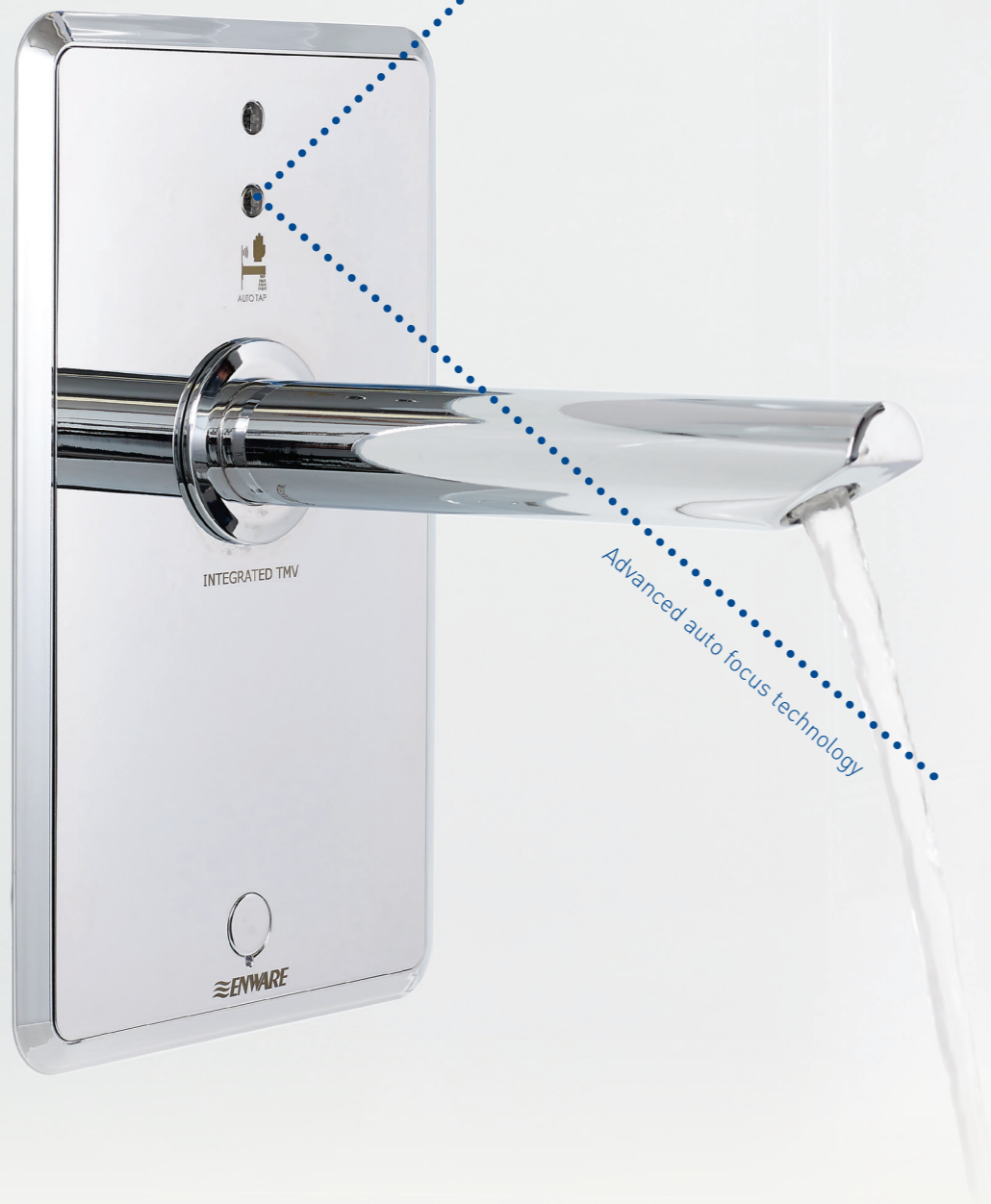


AQUABLEND™ eSQX



ELECTRONIC TOUCH FREE
POINT OF USE
THERMOSTATIC MIXERS


installing **confidence**



AQUABLEND™ eSQX

Australia's most technically advanced electronic touch free point of use thermostatic mixer.

eSQX thermostatic mixer is designed to satisfy the most demanding healthcare facilities needs. Directly dispensing controlled temperature heated water. eSQX improves hygiene and user safety with touch free operation and offers further infection control by ensuring the reduction of bacterial growth in supply lines.

- Health hygiene hits new heights**
 Smart, durable easy-clean chrome surfaces
- Advanced circulation**
 Dead leg free supply lines minimise bacteria growth
- User-friendliness**
 Simple operation for thorough hand washing

- Temperature control**
 Adjustable temperature ensures ultimate user comfort
- Intelligent infra-red technology**
 Australia's most advanced auto focus technology ensures operational consistency
- Self-purging intelligence**
 12-hour flush cycle eliminates stagnation in water supply lines – greatly reducing the risk of bacteria growth

- Certified & WELS Registered**
 All spouts available with WELS Registered 3 Star*, 5 Star and 6 Star Options. Watermark Certified to AS4032.1.
- Two-part componentry**
 In wall and front of wall component offered
 May be ordered and supplied separately to meet construction needs
 Battery or mains operation

* Note default is WELS 3 Star

Temperature is set at installation – ensuring the ongoing safe delivery of warm water. Temperature can also be adjusted by qualified personnel after installation.

With superior durability, energy efficiency plus seamless compatibility with Type A and Type B wash basins – eSQX is an all-round solution for clinical, procedural and surgical hand wash applications. In addition, eSQX is perfectly suited for food preparation and public washroom environments.

ACTIVE SENSE

Touch free washing using the sensor below the outlet. Ideal for general hand hygiene within health care facilities and food preparation applications.

WAVE ON WAVE OFF

Above outlet sensor location is purpose designed for clinical hand to elbow washing. A touch free, hygienic and effective solution for surgical scrub and Type A and Type B wash stations.

AQUABLEND™ eSQX



KEY BENEFITS

Touch free **infrared intelligence** is just the beginning.

The **innovative thermostatic mixing** valve brings heated water directly to the mixer itself – eliminating warm water dead legs and subsequent Legionella risk whilst enhancing **user comfort and safety**.

Eliminates the need for a TMV to be recessed into the wall.

Water and energy savings are maximised with a **smart, self-purging 12-hour flush cycle** that expels stagnant water – minimising the risk of bacteria growth in the supply lines.

DESIGN FEATURES

Touch free operation

Eliminates direct bacteria transfer between user and patient.

Reduced infectious air risk

Potentially contaminated air is eliminated from the water stream by laminar flow controlled basin spouts. Sealed face plate minimises ingress of moisture into wall cavity and contaminated air flow from wall cavity into sterile areas.

Premium disinfection

The smooth bore tubular spout is designed to minimise bacterial growth. The spout can be removed for disinfection.

Efficient maintenance and commissioning access

The face plate can be removed to access integral isolation/check valves, strainers and inspection ports.

Simple and effective cleaning and durability

Cleaning is made simple through the easily cleaned, smooth chrome plated surface on both face plate and tubular spout.

Innovative installation

Featuring separate, trimmable in-wall housing enclosures to suit a range of wall depths.

Smart choice of finishes

Standard finish is bright chrome – ideal for clinical environments. Satin chrome or stainless steel available as a custom order.*

Australasian Healthcare Facility Guidelines compliance

Fixed spout length meets all Type A and Type B healthcare basic application requirements. Varying spout lengths must be matched to the corresponding basin or sink type. Enware can assist with spout matching provided full details of the matching fixture are supplied with the spout order.

Simple installation

A licensed plumber can install the system – which comes complete with integral isolation valves, check valves and strainers.

* It is important to note that satin chrome surfaces are quicker to wear while stainless steel comes with exposed screw fittings and does not have the clean lines like chrome.

AQUABLEND™ eSQX ACTIVE SENSE general hand washing

Hand washing is always important however extra special care with hand hygiene is a priority for healthcare and food service personnel – to satisfy rigorous hand hygiene and bacteria transfer prevention standards.

The AQUABLEND™ eSQX Active Sense mixer is seamlessly compatible with Type A and Type B basins, for general hand-washing zones.

Water starts running when hands are within the sensor range and stops once hands are removed – ensuring effective hand-washing protocols are met with this simple movement.



AQUABLEND™ eSQX WAVE ON WAVE OFF clinical hand washing

For surgical and health care professionals, frequent and effective hand-washing is imperative to reduce the risk of healthcare associated infections.

The AQUABLEND™ eSQX Wave On Wave Off mixer delivers exceptional intelligence with the easiest of movements. Hands are waved in front of the sensor to activate the water flow, which continues to flow until either waved off, or until a pre-set maximum run time is reached.

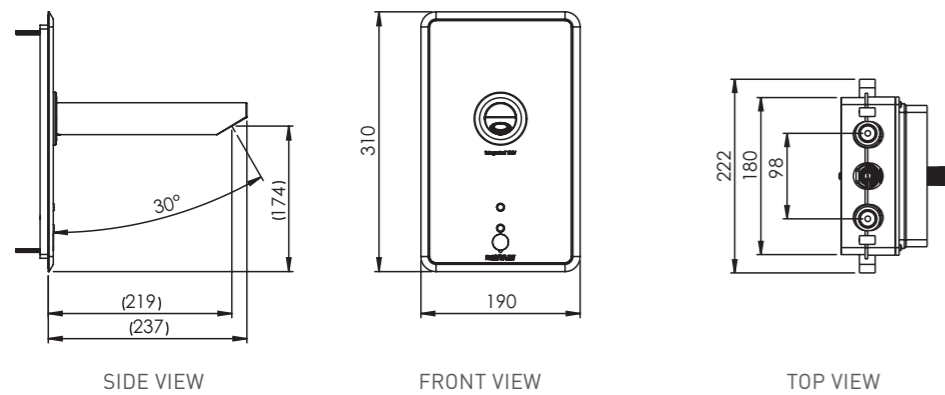
This mixer is perfectly compatible with Type A and Type B basins and ideal for surgical hand wash/scrub applications.



TECHNICAL DETAILS

AQUABLEND™ eSQX ACTIVE SENSE

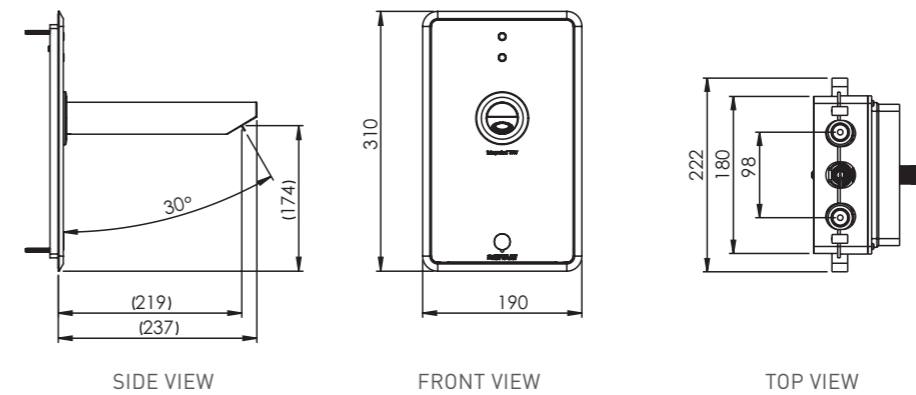
- IP67 internal electrical connectors increase longevity and enhance performance by reducing moisture and humidity ingress.
- Fully equipped wall box with internal horizontal and vertical spirit levels and cage nut assembly to faceplate to allow for onsite adjustments and installation ease.
- 1/4" thread on hot and cold inlet for peats plug connection facilitates ease in commissioning and annual checks.
- Sequential Point of Use TMV in accordance with AS4032.1.
- 6V battery or 12V mains supply connectivity options deliver safe low voltage operation.
- Sealed face plate minimises ingress of moisture into wall cavity and contaminated air flow from wall cavity into sterile areas.



TECHNICAL DETAILS

AQUABLEND™ eSQX WAVE ON WAVE OFF

- IP67 internal electrical connectors increase longevity and enhance performance by reducing moisture and humidity ingress.
- Fully equipped wall box with internal horizontal and vertical spirit levels and cage nut assembly to faceplate to allow for onsite adjustments and installation ease.
- 1/4" thread on hot and cold inlet for peats plug connection facilitates ease in commissioning and annual checks.
- Sequential Point of Use TMV in accordance with AS4032.1.
- 6V battery or 12V mains supply connectivity options deliver safe low voltage operation.
- Sealed face plate minimises ingress of moisture into wall cavity and contaminated air flow from wall cavity into sterile areas.



Ordering Information

Each mixer is supplied in two parts. IN WALL and FRONT OF WALL. Both parts must be specified and ordered. Contact Enware on 1300 369 273 (AUS) or visit www.enware.com.au for more information.



POINT OF USE THERMOSTATIC SEQUENTIAL MIX TECHNOLOGY


installing**confidence**

touch free tapware

1300 369 273 (AUS) | www.enware.com.au | info@enware.com.au