

AQUABLEND™ 1500 with Thermal Flush

a major step forward for
Legionella management

available now
AQUABLEND™ 2000
pre 2009 - Thermal Flush
Retrofit Cartridge

AQUABLEND™ 1500

with Thermal Flush

Australia's leading TMV brand now with Thermal Flush allowing a controlled hot water flush to pass through the TMV for maintenance and decontamination

WHAT HAS CHANGED?

- The lock shield (cap) is now red and has "Thermal Flush" in the text
- Thermal Flush Procedure is outlined in a new booklet supplied with each valve
- A maximum temperature of 48°C can now be set

WHAT IS UNCHANGED?

- Australian Made
- The Aquablend™ 1500 will function as normal if the thermal flush is not used
- Watermark Certification AS4032.1 and NSW Health Approved
- Product codes for the Aquablend™ 1500 and cabinet combinations remain

UPGRADES

With the release of the New Aquablend™ 1500, all existing* Aquablend TMV's can now be upgraded to include Thermal Flush. A comprehensive new service kit has been released under the new Sales Code ATMS242

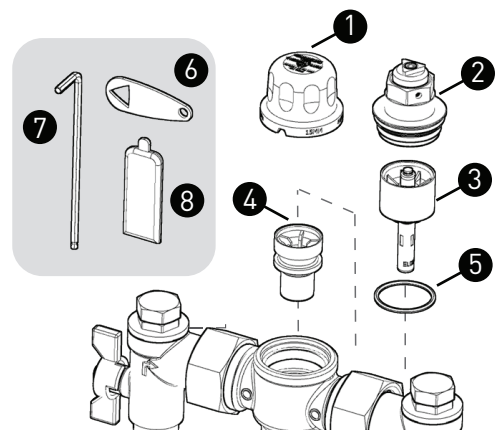
See how it works
bit.ly/thermalflush

SERVICE KIT

All Aquablend 1000,1500 and 2000 TMV's can be supplied with the ATMS242 "Upgrade Kit" the lock shield will be marked "upgrade" so it is identifiable after it has been installed

An updated new part/price table has been released for service kits and spare parts for all Aquablend™ branded products.

SERVICE KIT WILL INCLUDE



- | | |
|-----------------------------|------------------------------|
| ❶ Red Lock Shield | ❺ O-ring (Body O-ring) |
| ❷ Top Cap Assembly | ❻ Temperature Adjustment Key |
| ❸ Element & Piston Assembly | ❼ Allen Key |
| ❹ Mixing Tube | ❽ Grease |