



Casement Awning

This simple and functional window design is ideal for all types of property. It is the most popular and widely used style of window in our range. Our casement windows can be either top-hung opening or side-hung opening to suit your requirements, providing excellent ventilation and security. You can choose clean-cut chamfered beading or a more decorative sculpted ovolo finish, according to your tastes.

Features and Benefits

- Cross Ventilation
- Dual Locking Position — Night Vent
- French Window Option
- All windows key lockable

Features and Benefits

- Easy Cleaning
- Very Secure when open
- Greater ventilation
- Tilt only option



Sliding Door

When you want to maximise your view of the outside and benefit from more natural light within your home, Nu-Eco sliding patio doors make the ideal solution. Practical and versatile with a stunning classical appearance, they have been the customer's choice for decades.



Tilt & Turn

This sophisticated window style is becoming increasingly popular. It combines the benefits of a large area of glass with ease of cleaning and excellent ventilation. The innovative tilt-and-turn mechanism enables the window to be opened inwards from the top for effective ventilation or from the side for safe and easy cleaning from within your home.

Features and Benefits

- 2, 3 and 4 Panel configurations
- Easy Glide Rollers
- High security Locking system
- Multi point locks

Features and Benefits

- Low Threshold option
- Multi Point Locking—Claw bolts for added security
- Anti Bump lock cylinders
- Matching Hardware to windows



Front Door

Whatever your tastes and no matter what style of home you live in, we offer an entrance door to meet your requirements. Our durable, attractive Composite doors are available in a huge variety of styles, colours and finishes. Decorative touches, such as lead lighting, decorative glass and Georgian bars, are also available to suit your home.



French Door

Our French doors are ideal for a wide range of uses, particularly where a traditional feel is required. Beautifully suited to open up to outdoor living areas or to make a unique design statement within your home, our doors have a classic appearance with all the benefits of contemporary PVC-U double-glazing.

Features and Benefits

- Low Threshold option
- Multi Point Locking—Claw bolts for added security
- Door knocker, letter box slot

Features and Benefits

- Easy Clean Feature
- Optional Night vents—Restricts opening
- Triple brush seals
- Anti-jemmy bar and reinforced hardware



Bi-fold Door

Our superb collection of panoramic bi-fold doors offers market-leading aesthetics, engineering and value. With a choice of designs and guaranteed high-quality performance, they bring you the space, comfort and low-maintenance luxury of modern living. In short, our new folding doors are superior to any other similar PVC-U products you'll find on the market today.

Double Hung

Our Double Hung windows enables you to achieve a classic, distinctive look for your home, with all the high-performance, low-maintenance benefits of PVC-U. The windows echo the timeless styling of the Georgian era, with two sliding sashes, decorative horns and sculpted ovolo frames. Plus, our unique sculpted Georgian bars, adding more character. These attractive windows are guaranteed to create an eye-catching feature for any home.

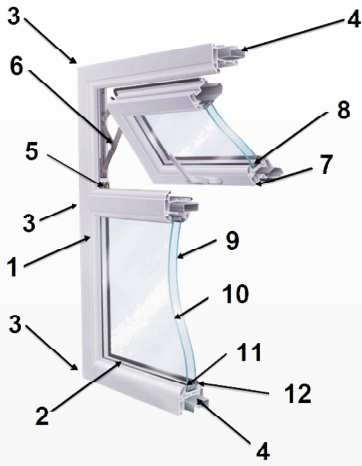


Features and Benefits

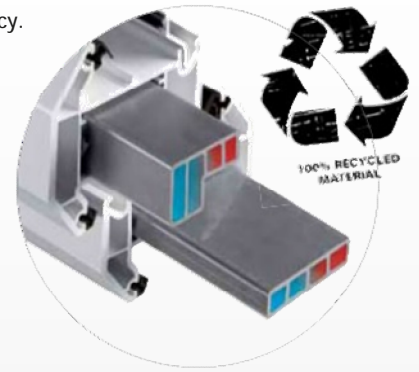
- Lower Threshold—in built tracks
- Multi Point Locking—Claw bolts for added security
- Trims to hide the seals
- Smooth operation

Benefits of Nu-Eco Windows

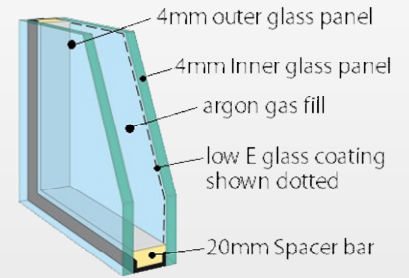
Frame-Profile



1. 70mm Multi Chamber Profile for Optimum Thermal efficiency.
2. Internally Glazed for added security.
3. All joints fully welded.
4. Galvanised Steel reinforcing providing greater strength.
5. Multi point locking—Dual position Night vent
6. Stainless Steel Hardware
7. Heavy wall thickness
8. Argon filled Double glazed sealed Unit
9. Exterior Pane 4mm, 6mm
10. Interior Pane with optional Low E Glass coating
11. 20mm spacer bar largest in its class



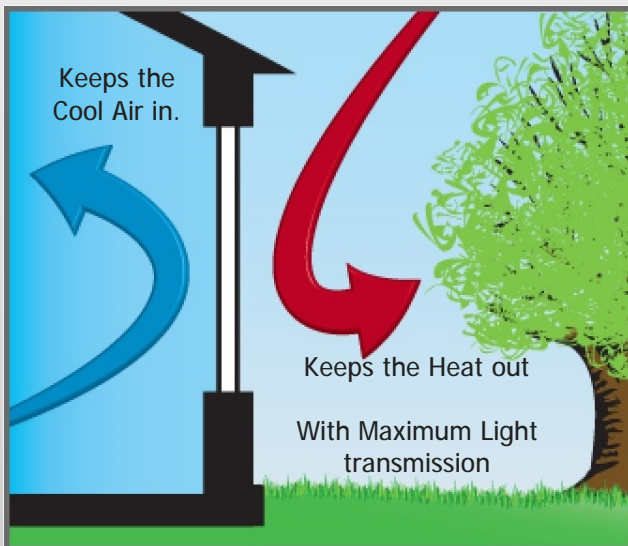
Thermally efficient Double Glazing



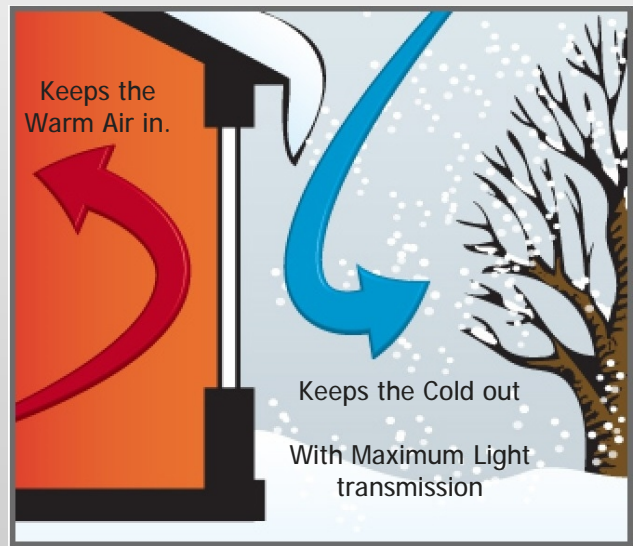
Typical Glass / Spacer Combination & Purposes

- 4 / 20 / 4 mm Annealed / Float - Standard for most windows
- 4 / 20 / 4 mm Toughened – Grade A Safety Glass – where required to meet Australian Standards
- 6 / 16 / 6 mm Toughened – Grade A Safety Glass – where required to meet Australian Standards
- 6.4 / 16 / 6.4 mm Laminated – Laminated Glass – where required for Maximum Security (optional)
- 6.4 / 16 / 4 mm Laminated – Laminated / Float or Toughened Combination – Acoustic Attenuation

Benefits of Low E Glass

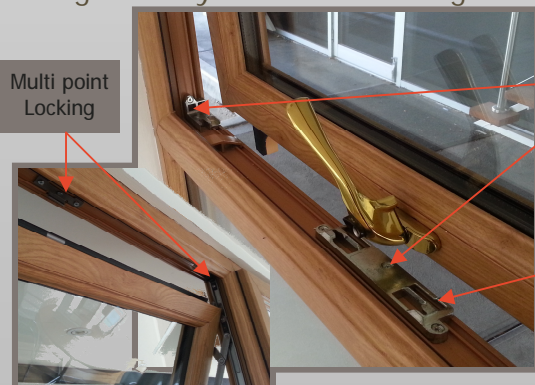


LOW E GLASS IN WARMER CLIMATE

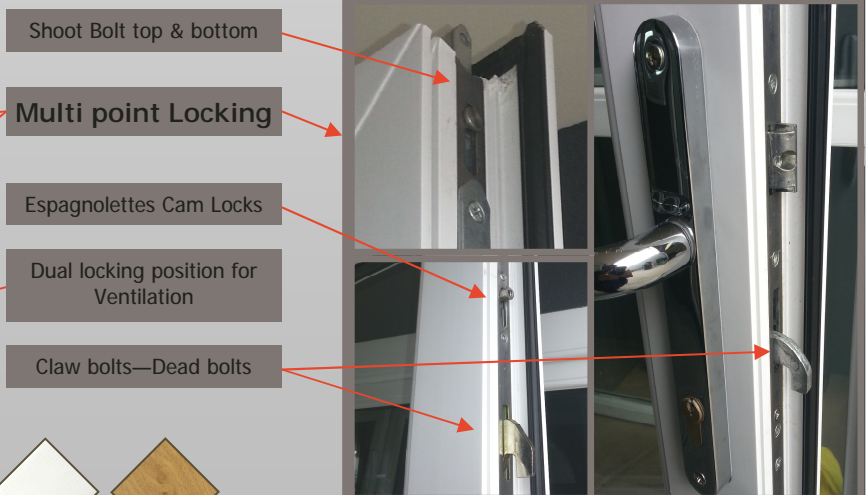


LOW E GLASS IN COOLER CLIMATE

High Security—Multi Point Locking



Multi point Locking



- Shoot Bolt top & bottom
- Multi point Locking
- Espagnolettes Cam Locks
- Dual locking position for Ventilation
- Claw bolts—Dead bolts



SHOWROOM—4 NICHOLAS DRIVE DANDENONG SOUTH 3175
 Phone 1300 326 946 [03] 9771 3103 Fax [03]9706 6614
 Email sales@nu-eco.com.au Web www.nu-eco.com.au

