

**Robert Bosch (Australia) Pty Ltd
Melbourne**

1555 Centre Road
Clayton Victoria 3168
P (03) 9541 5555
F (03) 9541 5595
Sales Hotline: 1300 30 70 37
Sales Fax: 1300 30 70 38
www.bosch-climate.com.au

New Zealand

Sales Hotline: 0800 54 33 52
Sales Fax: 0800 54 33 55
www.bosch.co.nz/hotwater

Commercial Hot Water Systems

125 Bosch
Years 1886-2011



BOSCH
Invented for life



For hot water, Bosch is the number one choice for your building projects.

Contents

- 3** Professional Series
- 4** 32 Series
- 6** 32C Commercial Condensing
- 8** 32C Commercial Condensing Accessories
- 10** Commercial Manifold Packs
- 12** Manifold Ring Main Kit
- 13** Manifold Tank Kit
- 14** Commercial Accessories
- 16** Commercial Manifold Pack Accessories
- 18** Professional Packs
- 20** Commercial Tanks
- 21** Commercial System Selection Guide
- 22** Product Specifications Commercial Manifold Pack (32)
- 23** Product Specifications Commercial Manifold Pack (32C)



Bosch Professional Series#

the first choice for Builders

The latest project range of Bosch continuous flow hot water systems has been specifically designed for maximum energy efficiency and ease of installation for your building projects.



Whether building a new home, or replacing an existing hot water system as part of a renovation, a Bosch Professional or Bosch Professional Plus provides uncompromised quality while being compact, space-saving and easy to install. The Bosch Professional range has a 5.5+ star energy efficiency rating and in addition to being energy efficient, is also cost effective.

Being 50°C limited, there is no need for additional tempering valves for the hot water outlets.

Optional accessories for the Bosch Professional Range include:

- ▶ Project Recess Boxes - PRB50L (Bosch Professional) or PRB26L (Bosch Professional Plus)
- ▶ Fully Enclosed Recess Box - FERB70
- ▶ Pipe Cover - YPHC304
- ▶ Security Bracket - BLB70

For other domestic options please refer to the Bosch Domestic Brochure.

#Not available in New Zealand.

Features:

- ▶ 50°C temperature limited#
- ▶ 5.5+ star energy efficiency rating
- ▶ Easy installation
- ▶ Compact design
- ▶ Up to 4 optional temperature controllers
- ▶ Available in Natural or LP Gas
- ▶ Comprehensive domestic warranties



Bosch Professional
(21L/min)



Bosch Professional Plus
(26L/min)

Specifications

| | Model | |
|---|--|-------------------------|
| | Bosch Professional | Bosch Professional Plus |
| Part Number | YS2170RA5P | YS2670RA5P |
| Installation | External | External |
| Ignition | Electronic | Electronic |
| L/min (25°C rise) | 21 | 26 |
| Min. operating inlet water pressure (kPa) | 100 | 100 |
| Min. constant water pressure for Max flow (kPa) | 130 | 230 |
| Max. inlet water pressure (kPa) | 1000 | 1000 |
| Mj/H | 170 | 200 |
| Star Rating | 5.56 | 5.53 |
| Temperature | 50°C limited | 50°C limited |
| Antifrost | Standard | Standard |
| Gas Type | NG/LPG | NG/LPG |
| Electrical Supply | 230 - 240 VAC 50 Hz (10amp weatherproof powerpoint required within 500mm of the unit) | |
| Temperature Controller | Up to 4 temperature controllers can be installed (Standard Controllers: YPRM66XB, YPRS66XB; Premium Controllers: YPRM67XB, YPRS67XB; Sub-Controller: YPRP62XB) | |
| Unit Height x Width x Depth (mm) | 520 x 350 x 170 | 600 x 350 x 170 |
| Carton Weight (kg) | 19 | 22 |
| Domestic Warranty | | |
| Parts & Labour | 3 Years | 3 Years |
| Heat Exchanger (part only) | 10 Years | 10 Years |
| Pipe Connection Sizes | | |
| Natural Gas | 20mm (3/4") | 20mm (3/4") |
| LP Gas | 20mm (3/4") | 20mm (3/4") |
| Cold Water | 20mm (3/4") | 20mm (3/4") |
| Hot Water | 20mm (3/4") | 20mm (3/4") |

Bosch 32 Series



Bosch 32



Bosch 32Q

The Bosch 32 Series provides flexibility and reliability when there is demand for large volumes of hot water.

The Bosch 32 Series has been specifically designed for Australian and New Zealand commercial use. Both the 32 and 32Q contain a 25% thicker commercial grade heat exchanger to aid in preventing corrosion and deterioration.

The Bosch 32 Series will, with a controller attached, reactivate within one minute of power returning after an outage, and will return to the same selected temperature settings it had prior to the loss of power.

Ideally suited to commercial applications, the Bosch 32 can be installed as a single unit or in multiple unit manifolded configurations with the use of the quick connect cord (KMQC0703339) for 2 units, or the systems controller (KMSC201) for 3 to 6 units. Please see page 10 for more information on the Bosch Manifold Pack and pages 22-23 for a listing of Manifold Pack Specifications.

Installation Options

The Bosch 32 Series offers the unique ability to be installed internally*, or externally with the Bosch Vent Cap (KMVC-100). Please refer to page 14 to view the extensive range of Bosch Commercial Accessories.

These exclusive installation options make the Bosch 32 Series the most flexible Bosch units available.

Bosch also offers a Commercial Condensing appliance, the Bosch 32C, see page 6.

*Internal installation of the Bosch 32 Series requires flueing and adequate ventilation, see page 14.

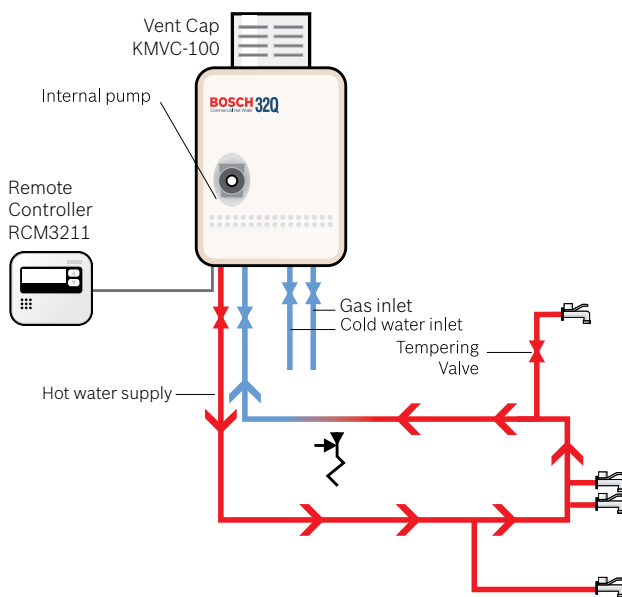
**External installation of the Bosch 32 Series requires the KMVC-100 Vent Cap, see page 14.

Specifications

| | Model | |
|---|---|-----------------------------------|
| | Bosch 32 | Bosch 32Q |
| Part Number | KM3211WH | KM3211WHQ |
| Installation | Internal* or External** | Internal* or External** |
| L/min (25° C rise) | 32 | 32 |
| Min. pressure for max flow (kPa) | 200 | 200 |
| Max. allowable inlet water pressure (kPa) | 900 | 900 |
| Antifrost | Standard | Standard |
| Gas Input-Low (Mj/H) | 25 | 25 |
| Gas Input-High (Mj/H) | 250 | 250 |
| Star Rating | 4.8 | 4.8 |
| Air Supply / Exhaust | Power Flued | Power Flued |
| In-built recirculation pump | No | Yes |
| Gas Type | NG/LPG | NG/LPG |
| Electrical Supply | 240 VAC | 240 VAC |
| Power Consumption | NG - 100W / LP - 115W / AF - 115W | NG - 135W / LP - 150W / AF - 115W |
| Temperature Controller | Compatible with RCM3211 and RCS3211 (Maximum of 3) | |
| Unit Height x Width x Depth (mm) | 615 x 464 x 240 | 615 x 464 x 240 |
| Unit Weight (kg) | 29 | 32 |
| Warranty | Commercial – 2 years parts and labour, 5 years heat exchanger (part only) Domestic – 3 years parts and labour, 10 years heat exchanger (part only) | |
| Pipe Connection Size | | |
| Gas Inlet | 20mm (3/4") | 20mm (3/4") |
| Water Inlet | 20mm (3/4") | 20mm (3/4") |
| Hot Water Outlet | 20mm (3/4") | 20mm (3/4") |
| Hot Water Return | – | 15mm (1/2") |

Bosch commercial hot water products are well-known for their quality, reliability, and excellent technical support. This will give you the confidence to always recommend Bosch to your customers.

The schematic below shows a Bosch 32Q on a ring main. The recirculation pipe is up to 60 metres in length with 20 bends, 3/4 inch flow, 1/2 inch return, and insulation on the pipework meeting R3 standard or above.



Note: Diagram is for illustration purposes only and is not drawn to scale.

Features:

- ▶ Bosch 32 can be manifolded
- ▶ Simple installation
- ▶ Delivers 32 litres of hot water per minute
- ▶ Natural or LP Gas
- ▶ Internal* or external** installation available
- ▶ 5 year commercial warranty on heat exchanger (part only)
- ▶ 2 year commercial warranty on full parts and labour

The Bosch 32Q has all the features of the Bosch 32, PLUS...

- ▶ When used on a ring main, an internal pump[^] allows for programmed water recirculation in peak usage times. This results in fast delivery of hot water to your taps, with minimal water wastage.
- ▶ One main Remote Controller (RCM3211) included as standard.

[^]The Bosch 32Q internal pump does not have sufficient capacity to be used with a storage tank.



Bosch **32C Commercial Condensing**



Bosch 32C



The Bosch 32C sits at the top of the Bosch range as the most efficient commercial gas hot water unit available. It boasts superior energy efficiency of 94% and a 6 star energy efficiency rating.

The Bosch 32C is suited to both commercial and domestic application – anywhere there is demand for large volumes of hot water. The Bosch 32C is the only unit in its class that can be installed internally* or externally**.

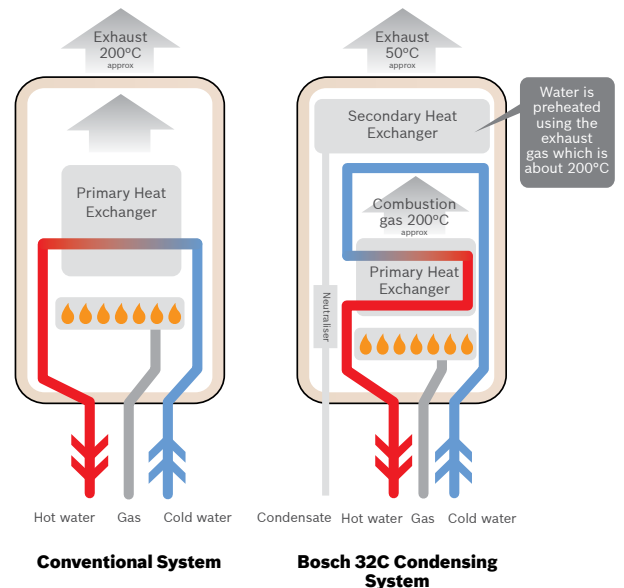
The Bosch 32C features superior commercial-grade components throughout, including a 25% thicker heat exchanger fused with a 100% stainless steel corrosion-resistant heat exchanger. The 32C can operate as a single unit or be easily manifolded to suit a range of applications, using various Bosch accessories (see pages 16 and 17).

*Internal installation of the Bosch 32C requires flueing and adequate ventilation, see page 8.

**External installation of the Bosch 32C requires the BCVC-100C Vent Cap, see page 8.

How does Condensing Technology work?

Unlike traditional hot water systems, Bosch condensing units capture heat from the exhaust gas and use it to preheat incoming cold water, making the Bosch 32C the most energy efficient Bosch commercial gas hot water system available!



Note: Diagram is for illustration purposes only, connection position may vary.

The Bosch 32C was the winner of the coveted **ECO-Buy Innovative Green Product of the Year** for 2011, which recognises a product that is innovative, satisfies a significant need and demonstrates outstanding environmental benefits.

Features:

- ▶ 6-star energy efficiency rating – the most efficient Bosch commercial gas hot water system available, with 94% energy efficiency
- ▶ 217 Mj/H gas consumption, producing a flow rate of 32 litres per minute at a 25°C rise
- ▶ Designed to run up to 18 hours per day
- ▶ Can be installed internally* or externally**
- ▶ 25% thicker commercial-grade copper heat exchanger, fused with 100% stainless steel corrosion-resistant secondary heat exchanger
- ▶ Commercial-grade components used, including heavy duty resin-coated printed circuit board for increased durability and protection from the environment
- ▶ Can be installed as a single unit, manifolded, or in combination with a storage tank. Self-diagnostic electronic staging and rotation system (in manifold)
- ▶ In-built neutraliser for the safe release of condensate (pH-neutral condensate)
- ▶ Up to three temperature controllers can be installed
- ▶ Available in 37°C to 85°C temperature range (without temperature controllers), 37°C to 80°C temperature range (with temperature controllers), or available as a 50°C limited model[#]
- ▶ Compatible with solar hot water and warm water return systems[^]
- ▶ Comprehensive commercial and domestic warranties

Specifications

| | Model |
|----------------------------------|---|
| | Bosch 32C |
| Part Number | BC3200RA |
| 50°C Limited Part Number | BC3200RA5 [#] |
| Installation | Internal* or External** |
| Ignition | Electronic |
| L/min (25°C rise) | 32 |
| L/min (20°C rise) | 38 |
| Min. inlet water pressure (kPa) | 200 |
| Min. pressure for Max flow (kPa) | 200 |
| Max. inlet water pressure (kPa) | 900 |
| Mj/H | 217 |
| Star Rating | 6 |
| Antifrost | Standard |
| Gas Type | NG/LPG |
| Electrical Supply | 230 - 240 VAC 50 Hz (10amp weatherproof powerpoint required within 500mm of the unit) |
| Temperature Controller | Compatible with RCM3211 and RCS3211 (Maximum of 3) |
| Unit Height x Width x Depth (mm) | 615 x 464 x 240 |
| Carton Weight (kg) | 39 |
| Warranty | Commercial – 2 years parts and labour, 5 years heat exchanger (part only) Domestic – 3 years parts and labour, 10 years heat exchanger (part only) |
| Pipe Connection Sizes | |
| Natural Gas | 20mm (3/4") |
| LP Gas | 20mm (3/4") |
| Cold Water | 20mm (3/4") |
| Hot Water | 20mm (3/4") |
| Condensate Drain | 15mm (1/2") |

*Internal installations of the Bosch 32C require flueing and adequate ventilation, see page 8.

**External installations of the Bosch 32C require the BCVC-100C Vent Cap, see page 8.

[^]Reduced condensing efficiency due to warm water input.

[#]Not available in New Zealand.

Bosch 32C Commercial Condensing Accessories



One of the unique features of the Bosch 32C is its ability to be installed internally or externally.



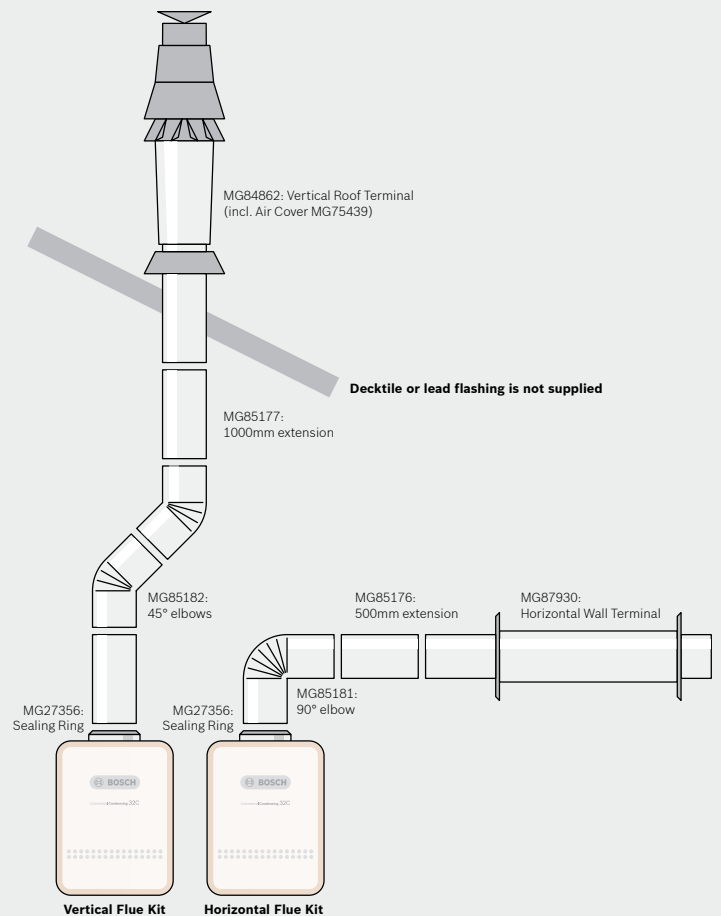
Internal Installation

Bosch 32C Flue Components

For internal installations of the Bosch 32C, flueing is required which is supplied exclusively by Bosch. These high quality flue components are made from a combination of polypropylene (PP) and aluminium, making them corrosion resistant, and easy to install. The 32C flueing system is cost effective and includes easy push-fit joints, lightweight components, and vertical or horizontal flue terminals. Internal installations of the Bosch 32C require adequate ventilation as per AS5601 and NZ5261.

| Part Number | Product Description |
|-------------|--|
| MG85176 | PP extension pipe, 100 x 500mm |
| MG85177 | PP extension pipe, 100 x 1000mm |
| MG85181 | PP flue elbow, 90 degrees, 100mm diameter |
| MG85182 | PP flue elbow, 45 degrees, 100mm diameter |
| MG84631 | Wall bracket suitable for 32C flueing |
| MG87930 | Horizontal Wall Terminal, PP & aluminium, 100mm diameter |
| MG84862 | Vertical Roof Terminal, PP, 100/150mm diameter incl. air cover MG75439 |
| MG27356 | Sealing Ring, please note: 1 unit required for every internal installation |

Bosch 32C flueing installation example



Note: Diagram is for illustration purposes only and is not drawn to scale.



External Installation

32C Vent Cap

BCVC-100C

- Includes flue collar

Parkview Hotel, St Kilda Road, Melbourne.



Bosch Commercial Manifold Packs



Because no two commercial projects are the same, Bosch offers a versatile range of manifold systems to suit your unique specification.

A Bosch Commercial Manifold Pack can consist of 2 to 6 Commercial continuous flow water heaters (Bosch 32 or 32C units only) plumbed together to allow higher flow rates than a single unit can provide.

How are Bosch Manifold Packs supplied?

The Bosch Commercial Manifold Pack is fully assembled on a custom engineered frame. Pipework and heavy insulation including isolating valves are already installed ready to be plumbed into your specific commercial project.

Supplied in a modular system of 2 and 3 units, the Bosch Commercial Manifold Pack is packed in heavy duty separate timber crates for ease of transport and handling. The Bosch Commercial Manifold Packs of 4, 5 and 6 units are supplied in combinations of 2 and 3 unit modules as required for

your application. For example, a Bosch Commercial Manifold Pack of 6 will be supplied as 2 modular packs of 3, with a connection kit to join the pre-packaged manifolds together (BCK32 – side by side installation only).

Up to 24 Bosch Commercial units can be manifolded electronically. For more information, please contact your Bosch Commercial Sales Representative.

For a complete list of the Bosch Commercial Manifold Pack Specifications, see pages 22 and 23.

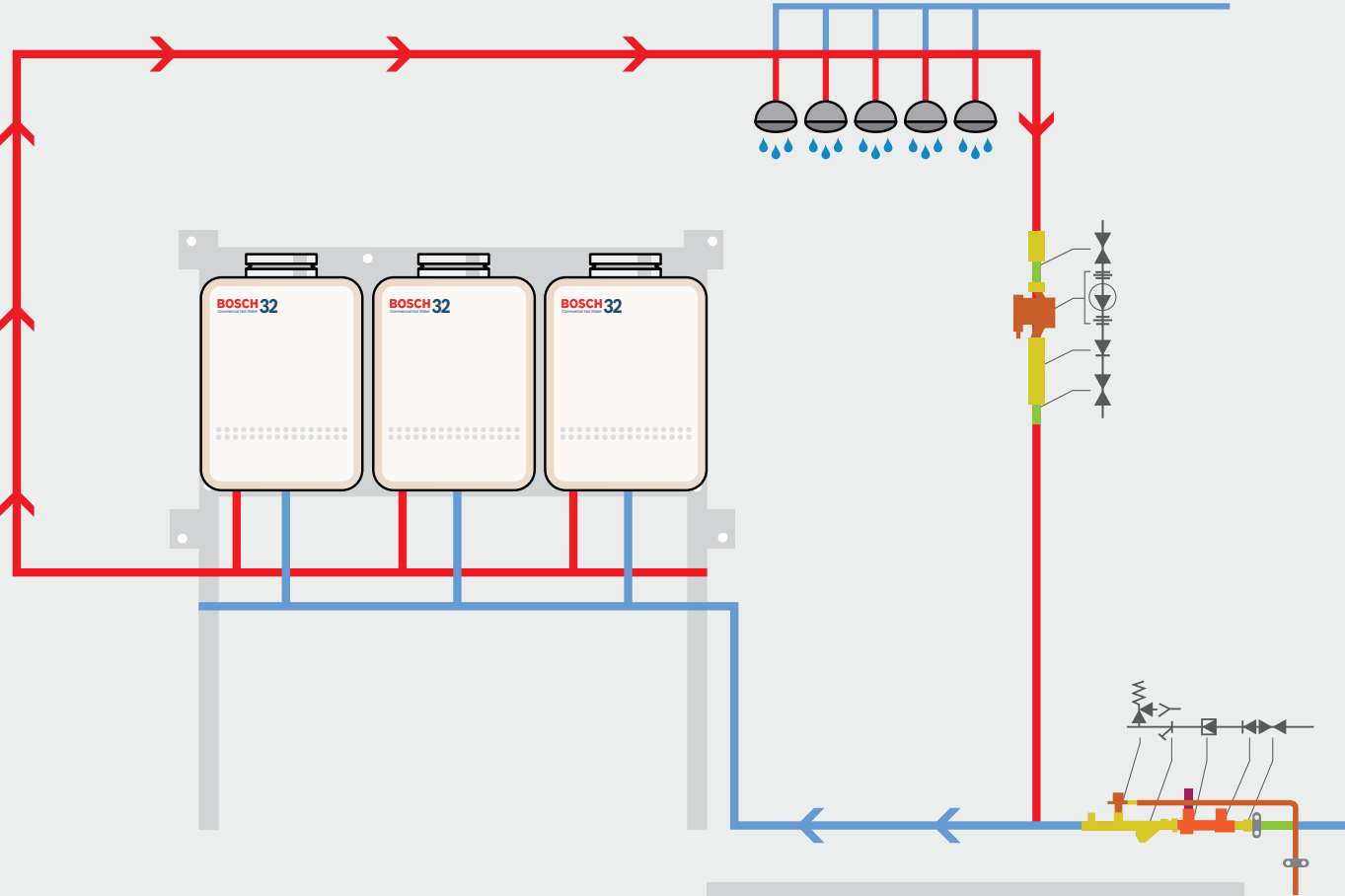
*Internal installations require flueing and adequate ventilation. Refer to page 14 for the Bosch 32 or page 8 for the Bosch 32C flueing components.

**External installations require a Vent Cap. Refer to page 14 for the Bosch 32 Vent Cap or page 8 for the Bosch 32C Vent Cap.

Features:









- ▶ Available with Bosch 32 and 32C units
- ▶ Internal* or external** installation
- ▶ Flexible modular design for easy pre-plumbed installation
- ▶ Sophisticated electronic staging and rotation system for extended life of the system
- ▶ 6 units in manifold pack capacity (192 litres per minute at a 25°C rise)
- ▶ Higher Mj/H rating to allow higher flow rates for commercial demand
- ▶ Strong custom frame – wall or floor mounted
- ▶ Heavy duty timber packaging to prevent delivery damage
- ▶ Available in packs of 2 or 3 units with the ability to interconnect to make 4, 5 or 6 units
- ▶ Durable weatherproof insulation on pipework to minimise heat loss
- ▶ Constant outlet temperature even when the flow rate varies
- ▶ No gas consumption when not in use
- ▶ Can be used either in standard or recirculation installations (please note, a recirculation pump needs to be installed for the ring main and it must have correct pump sizing for recirculation system – see page 12)
- ▶ Main Controller included for easy system diagnostics
- ▶ Comprehensive commercial warranties
- ▶ Applications for Manifold Packs include: sporting clubs, restaurants, commercial kitchens, cafés and pubs, hotels, commercial laundries etc

Typical Bosch Manifold Pack Installation



This installation diagram serves as a guide only and is not drawn to scale. Please refer to installation instructions and local authority guidelines, or contact a Bosch Commercial Sales Representative when designing systems.

Legend

| | |
|---|---|
|  Isolation valve |  Pressure relief valve |
|  Non-return valve |  Tundish |
|  Pressure limiting valve |  Pump |
|  Filter (in-line) |  Connectors |

Bosch Manifold Ring Main Kit#

The Bosch Commercial Ring Main Kit (BRMK32) easily connects the Manifold Pack to a Ring Main.

Components of BRMK32:

- ▶ Wilo-Star Z20/7-3 pump
- ▶ Non-return valve
- ▶ Isolation valve
- ▶ Connectors
- ▶ Pipe fittings



Sizing guide for Bosch Manifold Ring Main Kit (BRMK32) & Manifold Packs

| Model | Gas Rate Mj/H Non-condensing | Model | Gas Rate Mj/H Condensing | Tropical | | Coastal | | Inland | | Alpine | |
|--------------------|------------------------------|---------------------|--------------------------|-------------------|------------------------|-------------------|------------------------|-------------------|------------------------|-------------------|------------------------|
| Manifold Pack (32) | | Manifold Pack (32C) | | Number of showers | Flow @ 20°C rise L/min | Number of showers | Flow @ 25°C rise L/min | Number of showers | Flow @ 35°C rise L/min | Number of showers | Flow @ 45°C rise L/min |
| WBM2 | 500 | WBCC2 | 434 | 8 to 9 | 74 | 7 to 8 | 64 | 5 | 45.7 | 4 | 35.6 |
| WBM3 | 750 | WBCC3 | 651 | 12 to 13 | 111 | 10 to 11 | 96 | 7 to 8 | 68.55 | 6 | 53.4 |
| WBM4 | 1000 | WBCC4 | 686 | 16 to 17 | 148 | 14 to 15 | 128 | 10 | 91.4 | 8 | 71.2 |
| WBM5 | 1250 | WBCC5 | 1085 | 20 to 21 | 185 | 17 to 18 | 160 | 12 to 13 | 114.25 | 10 | 89 |
| WBM6 | 1500 | WBCC6 | 1302 | 24 to 25 | 222 | 21 | 192 | 15 | 137.1 | 12 | 106.8 |

Note: All Bosch Manifold Systems come with electronic staging and rotation included.

What information do I need?

1. Inlet water temperature
[eg: average temperature, see list at right]
2. Temperature required at outlets
[eg: 40°C for showers]

Average inlet water temperatures:

| | |
|-----------|------|
| Brisbane | 20°C |
| Sydney | 15°C |
| Canberra | 12°C |
| Melbourne | 13°C |
| Adelaide | 14°C |
| Perth | 18°C |

Calculation:

Eg: for Sydney, temperature rise = 25°C
[40°C minus 15°C]

The simultaneous flow rate required for 7 showers = 63 L/min [7 x 9L/min AAA].
Therefore, the correct system choice = WBM2 or WBCC2 Manifold Kit.

For more information on the Bosch Ring Main Kit, see page 17.

#Not available in New Zealand.

Bosch Manifold Tank Kit#

The Bosch Commercial Manifold Tank Kits are supplied in component form which is then assembled onsite, making it easier to transport in lifts to rooftops or basement installations. The quick recovery times of this system make it a perfect solution for large apartment blocks and hotels.



Bosch Commercial Manifold Tank Kit

Commercial Pump Kit:

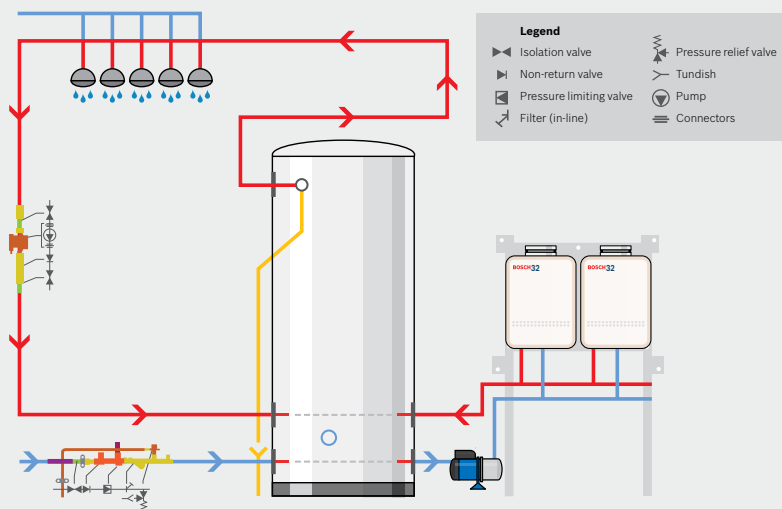
- ▶ Lowara 2HMS3 pump with lead, which plugs into digital thermostat ALPHASTATPLUSWR (see page 16)
- ▶ Pipes with weatherproof insulation
- ▶ Connectors

Pump:

- ▶ 32mm inlet
- ▶ 32mm outlet
- ▶ The Lowara 2HMS3 Pump can be used with up to 3 Bosch Commercial Hot Water Systems (32 or 32C)

#Not available in New Zealand.

Typical Bosch Manifold Tank Kit Installation



Note: Diagram is for illustration purposes only and is not drawn to scale.

Specifications

| Part Number | Description | Components | Component Description |
|--------------------|---|---|--|
| BMTP2NG BMTP2LP | Bosch Manifold Tank Kit incl 2 x 32 Units | 2 x 32 Manifolder 1 x 315C232LR 1 x ALPHASTATPLUSWR 1 x BCPK32 1 x BFMK32 | Manifold Pack Module incl 2 x 32 units Dual plumbed 315L st/steel tank Senztek digital thermostat Commercial pump kit Floor mounting kit for manifold frame |
| BMTP3NG BMTP3LP | Bosch Manifold Tank Kit incl 3 x 32 Units | 3 x 32 Manifolder 315C232LR 1 x ALPHASTATPLUSWR 1 x BCPK32 1 x BFMK32 | Manifold Pack Module incl 3 x 32 units Dual plumbed 315L st/steel tank Senztek digital thermostat Commercial pump kit Floor mounting kit for manifold frame |
| BCCP2NG BCCP2LP | Bosch Commercial Condensing Tank Kit incl 2 x 32C Units | 2 x 32C Manifolder 315C232LR 1 x ALPHASTATPLUSWR 1 x BCPK32 1 x BFMK32 | Manifold Pack Module incl 2 x 32C units Dual plumbed 315L st/steel tank Senztek digital thermostat Commercial pump kit Floor mounting kit for manifold frame |
| BCCP3NG BCCP3LP | Bosch Commercial Condensing Tank Kit incl 3 x 32C Units | 3 x 32C Manifolder 315C232LR 1 x ALPHASTATPLUSWR 1 x BCPK32 1 x BFMK32 | Manifold Pack Module incl 3 x 32C units Dual plumbed 315L st/steel tank Senztek digital thermostat Commercial pump kit Floor mounting kit for manifold frame |

Bosch Commercial Accessories

Choose from a range of commercial accessories, allowing you to customise your installation.



Main Remote Controller

RCM3211

- ▶ On / Off button
- ▶ Time display (current time)
- ▶ Temperature setting (eg 40°C)
- ▶ “Burner on” display when in use
- ▶ “Circulation mode on” display (32Q)
- ▶ Full diagnostic display
- ▶ Maximum of 3 controllers can be fitted to the 32, 32Q, and the 32C. Eg, 1 Main Controller and up to 2 Sub Controllers



Sub Controller

RCS3211

- ▶ On / Off button
- ▶ Temperature setting (eg: 40°C)
- ▶ “Burner on” display when in use
- ▶ “Priority” indicator
- ▶ Error display
- ▶ Suitable for 32, 32Q, and 32C

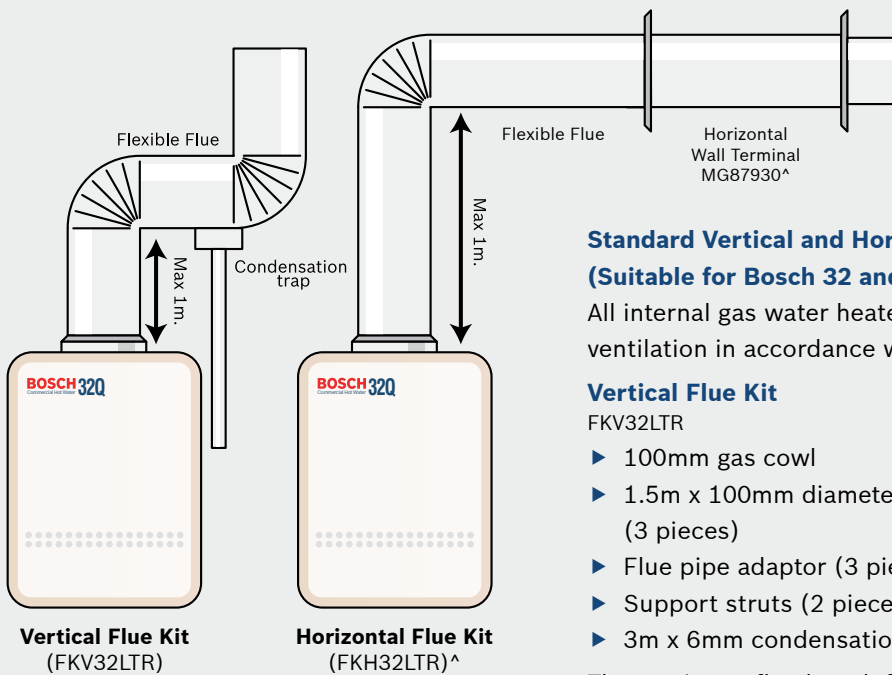


Vent Cap

KMVC-100

- ▶ 32 Series only (32 and 32Q)*
- ▶ For external installations only

*For 32C applications, the BCVC-100C Vent Cap is to be used, see page 8.



Standard Vertical and Horizontal Flue Kit[^] (Suitable for Bosch 32 and 32Q only)

All internal gas water heaters must be flued and installed with adequate ventilation in accordance with AS5601 or NZ5261.

Vertical Flue Kit

FKV32LTR

- ▶ 100mm gas cowl
- ▶ 1.5m x 100mm diameter gas flex (3 pieces)
- ▶ Flue pipe adaptor (3 pieces)
- ▶ Support struts (2 pieces)
- ▶ 3m x 6mm condensation hose

Horizontal Flue Kit

FKH32LTR[^]

- ▶ 100mm diameter flexible flue, 5m long
- ▶ Flue sleeve
- ▶ Adjustable wall penetration sleeve (2 pieces)
- ▶ Clamp

The maximum flue length for a vertical flue with 1 elbow is 13m.

For flueing information for the Bosch Commercial Condensing 32C appliance, see page 8.

[^]Horizontal Flue Terminal (MG87930) required with horizontal flue kit and this must be ordered separately.

Bosch offers versatile commercial solutions to suit your unique requirements, including solar contributions. Why don't you add Bosch to your specification today.



Commercial **Manifold Pack Accessories**

Bosch Commercial Manifold Packs have a range of inclusions and options to suit your unique specification.

Standard Inclusions



Floor Mount Kit

BFMK32

- ▶ Free standing system for Bosch Manifold Pack
- ▶ Standard with Floor Mount Manifold Pack



Cable for system controller

0700073

- ▶ 3 metres in length
- ▶ Standard with all Manifold Packs



Connection Kit

BCK32

- ▶ Connects 2 manifolded modules side by side
- ▶ 40mm brass barrel unions
- ▶ Standard with Manifold Packs of 4 to 6 units

Optional Accessories



Senztek Digital Thermostat

ALPHASTATPLUSWR

- ▶ Standard with Manifold Tank Kits
- ▶ Programmable
- ▶ Saves power, saves money
- ▶ Large 20mm soft green digital LED display with 8 status lights
- ▶ User adjustable water temperature settings
- ▶ Biosafe function for legionella protection

- ▶ High quality, efficiency, reliability and +/-1°C accuracy
- ▶ Stainless steel, water resistant temperature sensor
- ▶ Sensor diagnostics and smart shutdown
- ▶ Easy to install with external mounting holes
- ▶ Complies with safety and EMC standards
- ▶ Enclosure and cable UV resistant
- ▶ 16Amp relay standard with permanent wiring



Commercial Pump Kit[#]

BCPK32

Components:

- ▶ Standard with Manifold Tank Kits
- ▶ Lowara 2HMS3 pump with lead, which plugs into digital thermostat (ALPHASTATPLUSWR)
- ▶ Pipes with weatherproof insulation
- ▶ Connectors

[#]Not available in New Zealand.



System Controller*

KMSC201

- ▶ Standard with Manifold Packs of 3 to 6 units
- ▶ Suitable for 32 and 32C only
- ▶ Sophisticated unit rotation for extended system lifespan

Quick Connection Cable*

KMQC0703339

- ▶ Standard with 2-unit Manifold Packs
- ▶ Suitable for 32 and 32C only



Ring Main Kit*

BRMK32

- ▶ Connects Bosch Manifold Pack to a Ring Main
- ▶ Components include: Wilo Star Z20/7-3 pump, non-return valve, isolation valve, connectors, and pipework

*Not available in New Zealand.

*When using a Quick Connection Cable or System Controller, a Main Controller (RCM3211) must be fitted, see page 14.



Bosch Professional Packs#



Simply connect to water, gas and electricity and the Bosch Professional Pack is ready to go – no assembly required.

Components:

- ▶ Bosch 315L Stainless Steel Commercial Tank (C315C220T), with 32mm lefthand side connections and 20mm connections at front
- ▶ Bosch 32 Commercial Hot Water System (KM3211WHNG/LP)
- ▶ Stainless steel Grundfos Pump
- ▶ Digital Thermostat (ALPHASTATPLUSWR)
- ▶ Shroud

#Not available in New Zealand.



Model shown – C315T32WHNG

Features:

- ▶ Up to 1260 litres at 50°C rise in first hour
- ▶ Ease of maintenance
- ▶ Simple installation as product is pre-assembled
- ▶ Internal* or external** installation
- ▶ Space saving, with a centralised system
- ▶ System tailored to your specific needs
- ▶ Mains pressure
- ▶ Improved port sizes and locations
- ▶ Accurate temperature control with the Senztek Digital Thermostat (ALPHASTATPLUSWR)
- ▶ Ideal for apartment blocks and hotels

Specifications

| Part Number | Gas Type | Tank Size | Burner Size |
|-------------|----------|-----------|-------------|
| C315T32WHLP | LP | 315 | 250 Mj/H |
| C315T32WHNG | NG | 315 | 250 Mj/H |

*Internal installation of the Bosch Professional Pack requires flueing and adequate ventilation, see page 14.

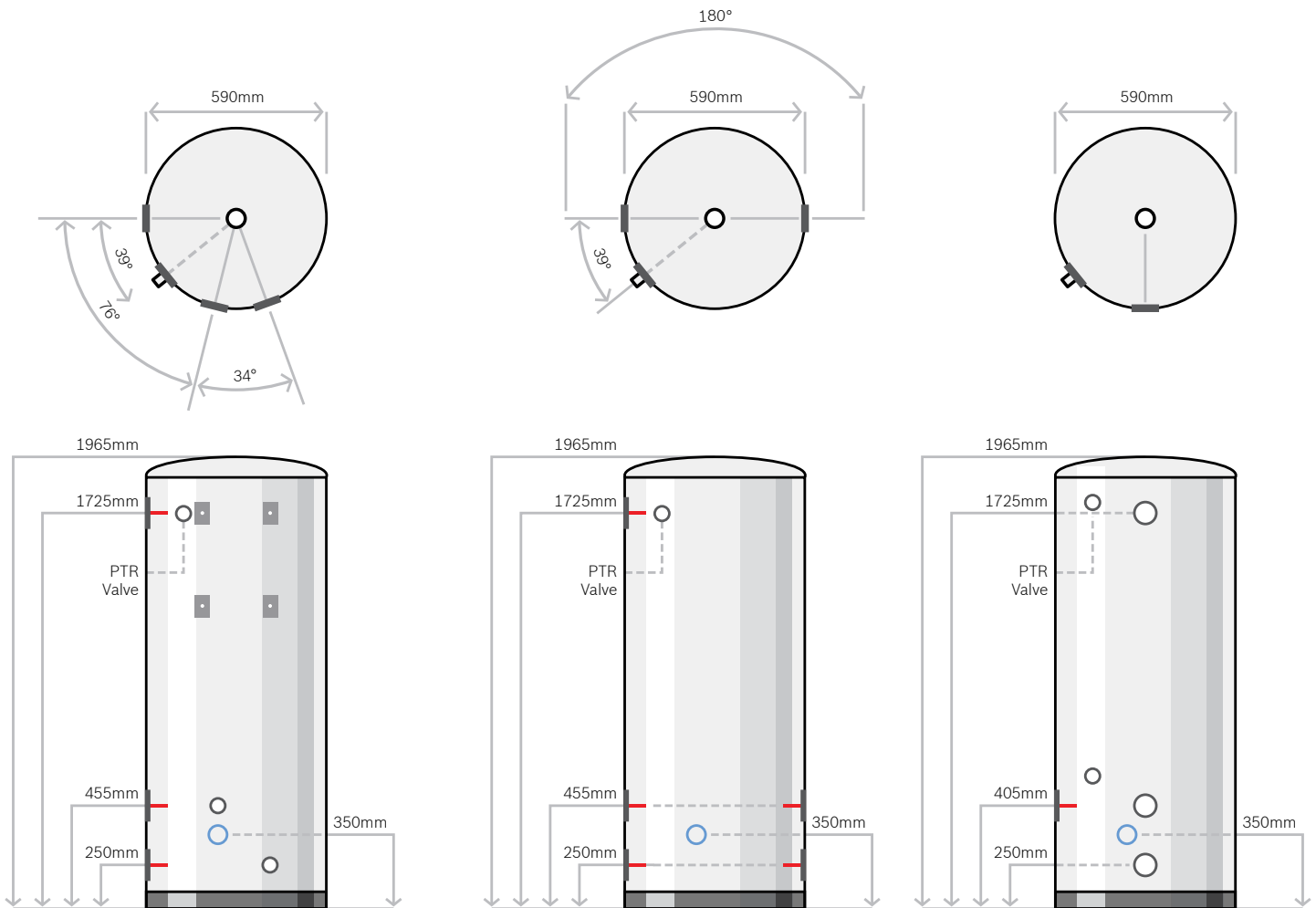
**External installation of the Bosch Professional Pack requires the KMVC-100 Vent Cap, see page 14.

It's easy to specify the Bosch Professional Pack, because it's pre-assembled and can be installed internally or externally depending on your requirements.



Bosch Commercial Tanks

The new range of Bosch Stainless Steel Commercial Tanks provides added flexibility for your installation requirements, including a dry well for a Senztek Digital Thermostat (ALPHASTATPLUSWR)* sensor to be inserted.



315C220T

- ▶ 315 Litre Stainless Steel Commercial Storage Tank
- ▶ 32mm lefthand connections with 20mm connections at front
- ▶ Specifically designed for use in the Bosch Professional Pack (see page 18)
- ▶ Sensor well pocket for Senztek Digital Thermostat (ALPHASTATPLUSWR)*

315C232LR

- ▶ 315 Litre Stainless Steel Commercial Storage Tank
- ▶ Dual plumbed 32mm lefthand and righthand connections
- ▶ Sensor well pocket for Senztek Digital Thermostat (ALPHASTATPLUSWR)*

315C250T

- ▶ 315 Litre Stainless Steel Commercial Storage Tank
- ▶ 50mm connections with a return line port
- ▶ Sensor well pocket for Senztek Digital Thermostat (ALPHASTATPLUSWR)*

*Senztek Digital Thermostat (ALPHASTATPLUSWR) not included as standard and must be ordered separately.

Bosch Commercial System Selection Guide - Tank Burner Combinations

Bosch 32 Commercial

| No. of systems | Commercial Pack Model (32) | Installation location | First hour litres at a 50° C rise | Recovery litres at a 50° C rise | Tank size (L) | No. of Water Heaters | Gas rate (Mj/H) | Apartments mix of 1 & 2 bedroom | Apartments mix of 2 & 3 bedroom | Hotel Beds 1-3 star rated | Hotel Beds 4-5 star | Amenities No. of (AAA) 3 star showers |
|----------------|----------------------------|-----------------------|-----------------------------------|---------------------------------|---------------|----------------------|-----------------|---------------------------------|---------------------------------|---------------------------|---------------------|---------------------------------------|
| 1 | C315T32WHNG or LP | Int* or Ext** | 1275 | 960 | 315 | 1 x 250(Mj/H) | 250 | 20 | 14 | 58 | 36 | 8 |
| 1 | BMTP2NG or LP | Int* or Ext** | 2235 | 1920 | 315 | 2 x 250(Mj/H) | 500 | 35 | 25 | 101 | 63 | 11 |
| 1 | BMTP3NG or LP | Int* or Ext** | 3195 | 2880 | 315 | 3 x 250(Mj/H) | 750 | 50 | 35 | 145 | 91 | 19 |
| 2 | C315T32WHNG or LP | Int* or Ext** | 2550 | 1920 | 2 x 315 | 2 x 250(Mj/H) | 500 | 40 | 25 | 116 | 72 | 12 |
| 2 | BMTP2NG or LP | Int* or Ext** | 4470 | 3840 | 2 x 315 | 4 x 250(Mj/H) | 1000 | 70 | 48 | 203 | 127 | 23 |
| 2 | BMTP3NG or LP | Int* or Ext** | 6390 | 5760 | 2 x 315 | 6 x 250(Mj/H) | 1500 | 100 | 70 | 290 | 182 | 35 |
| 3 | C315T32WHNG or LP | Int* or Ext** | 3825 | 2880 | 3 x 315 | 3 x 250(Mj/H) | 750 | 60 | 42 | 173 | 109 | 17 |
| 3 | BMTP2NG or LP | Int* or Ext** | 6705 | 5760 | 3 x 315 | 6 x 250(Mj/H) | 1500 | 105 | 74 | 304 | 191 | 41 |
| 3 | BMTP3NG or LP | Int* or Ext** | 9585 | 8640 | 3 x 315 | 9 x 250(Mj/H) | 2250 | 152 | 106 | 435 | 273 | 59 |
| 4 | C315T32WHNG or LP | Int* or Ext** | 5100 | 3840 | 4 x 315 | 4 x 250(Mj/H) | 1000 | 80 | 56 | 231 | 145 | 31 |
| 4 | BMTP2NG or LP | Int* or Ext** | 8940 | 7680 | 4 x 315 | 8 x 250(Mj/H) | 2000 | 142 | 100 | 406 | 255 | 55 |
| 4 | BMTP3NG or LP | Int* or Ext** | 12780 | 11520 | 4 x 315 | 12 x 250(Mj/H) | 3000 | 204 | 142 | 580 | 365 | 78 |

Bosch 32C Commercial Condensing

| No. of systems | Commercial Pack Model (32C) | Installation location | First hour litres at a 50° C rise | Recovery litres at a 50° C rise | Tank size (L) | No. of Water Heaters | Gas rate (Mj/H) | Apartments mix of 1 & 2 bedroom | Apartments mix of 2 & 3 bedroom | Hotel Beds 1-3 star rated | Hotel Beds 4-5 star | Amenities No. of (AAA) 3 star showers |
|----------------|-----------------------------|-----------------------|-----------------------------------|---------------------------------|---------------|----------------------|-----------------|---------------------------------|---------------------------------|---------------------------|---------------------|---------------------------------------|
| 1 | BCCP2NG or LP | Int* or Ext** | 2235 | 1920 | 315 | 2 x 217(Mj/H) | 434 | 35 | 25 | 101 | 63 | 11 |
| 1 | BCCP3NG or LP | Int* or Ext** | 3195 | 2880 | 315 | 3 x 217(Mj/H) | 651 | 50 | 35 | 145 | 91 | 19 |
| 2 | BCCP2NG or LP | Int* or Ext** | 4470 | 3840 | 2 x 315 | 4 x 217(Mj/H) | 868 | 70 | 48 | 203 | 127 | 23 |
| 2 | BCCP3NG or LP | Int* or Ext** | 6390 | 5760 | 2 x 315 | 6 x 217(Mj/H) | 1302 | 100 | 70 | 290 | 182 | 35 |
| 3 | BCCP2NG or LP | Int* or Ext** | 6705 | 5760 | 3 x 315 | 6 x 217(Mj/H) | 1302 | 105 | 74 | 304 | 191 | 41 |
| 3 | BCCP3NG or LP | Int* or Ext** | 9585 | 8640 | 3 x 315 | 9 x 217(Mj/H) | 1953 | 152 | 106 | 435 | 273 | 59 |
| 4 | BCCP2NG or LP | Int* or Ext** | 8940 | 7680 | 4 x 315 | 8 x 217(Mj/H) | 1736 | 142 | 100 | 406 | 255 | 55 |
| 4 | BCCP3NG or LP | Int* or Ext** | 12780 | 11520 | 4 x 315 | 12 x 217(Mj/H) | 2604 | 204 | 142 | 580 | 365 | 78 |

Please note:

- 1st hour delivery = Tank volume + 960 litres per commercial Unit (32 or 32C).
- 1st hour calculations for apartments: 1 bedroom 50 litres, 2 bedrooms 75 litres, 3 bedrooms 105 litres.
- Amenities: 6 x 27 litres of hot water per shower per hour.
- Hotels: 1-3 star 22 litres, 4-5 star 35 litres, which allows for showers, meals and laundry.

*Internal installations require flueing and adequate ventilation. Refer to page 14 for the Bosch 32 or page 8 for the Bosch 32C flueing components.

**External installations require a Vent Cap. Refer to page 14 for the Bosch 32 Vent Cap or page 8 for the Bosch 32C Vent Cap.

Bosch Product Specifications



Bosch 32 Commercial Manifold Pack

| | Wall Mount | | | | | Floor Mount | | | | |
|---|--|---------------------|-------------------------|------------------------------------|-------------------------|---------------------|---------------------|-------------------------|------------------------------------|-------------------------|
| Part Number | WBM2NGSK / WBM2LPSK | WBM3NGSK / WBM3LPSK | WBM4NGSK / WBM4LPSK | WBM5NGSK / WBM5LPSK | WBM6NGSK / WBM6LPSK | FBM2NGSK / FBM2LPSK | FBM3NGSK / FBM3LPSK | FBM4NGSK / FBM4LPSK | FBM5NGSK / FBM5LPSK | FBM6NGSK / FBM6LPSK |
| Installation | Int* or Ext** | Int* or Ext** | Int* or Ext** | Int* or Ext** | Int* or Ext** | Int* or Ext** | Int* or Ext** | Int* or Ext** | Int* or Ext** | Int* or Ext** |
| Ignition | Electronic | Electronic | Electronic | Electronic | Electronic | Electronic | Electronic | Electronic | Electronic | Electronic |
| L/min (25°C rise) | 64 | 96 | 128 | 160 | 192 | 64 | 96 | 128 | 160 | 192 |
| Min. operating inlet water pressure (kPa) | 200 | 200 | 200 | 200 | 200 | 200 | 200 | 200 | 200 | 200 |
| Min. constant water pressure for Max flow (kPa) | 200 | 200 | 200 | 200 | 200 | 200 | 200 | 200 | 200 | 200 |
| Max. inlet water pressure (kPa) | 900 | 900 | 900 | 900 | 900 | 900 | 900 | 900 | 900 | 900 |
| Mj/H | 500 | 750 | 1000 | 1250 | 1500 | 500 | 750 | 1000 | 1250 | 1500 |
| Temperature Range | 60°C factory set; optional 37°C – 80°C with controller | | | | | | | | | |
| Antifrost | Standard | Standard | Standard | Standard | Standard | Standard | Standard | Standard | Standard | Standard |
| Gas Type | NG/LPG | NG/LPG | NG/LPG | NG/LPG | NG/LPG | NG/LPG | NG/LPG | NG/LPG | NG/LPG | NG/LPG |
| Parts & Labour Warranty[^] | 2 Years | 2 Years | 2 Years | 2 Years | 2 Years | 2 Years | 2 Years | 2 Years | 2 Years | 2 Years |
| Heat Exchanger Warranty (part only)[^] | 5 Years | 5 Years | 5 Years | 5 Years | 5 Years | 5 Years | 5 Years | 5 Years | 5 Years | 5 Years |
| Pipe Connection Size (mm) | 40 | 40 | 40 | 40 | 40 | 40 | 40 | 40 | 40 | 40 |
| Controller included | RCM3211 | RCM3211 | RCM3211 | RCM3211 | RCM3211 | RCM3211 | RCM3211 | RCM3211 | RCM3211 | RCM3211 |
| Quick Connection Cable included | KMQC0703339 | No | No | No | No | KMQC0703339 | No | No | No | No |
| System controller included | No | KMSC201 | KMSC201 | KMSC201 | KMSC201 | No | KMSC201 | KMSC201 | KMSC201 | KMSC201 |
| Cable for system controller included | No | 0700073 x 2 | 0700073 x 3 | 0700073 x 4 | 0700073 x 5 | No | 0700073 x 2 | 0700073 x 3 | 0700073 x 4 | 0700073 x 5 |
| Manifold pack dimensions Height x Width x Depth (mm) | 1540 x 993 x 286 | 1540 x 1468 x 286 | Combination of 2 x WBM2 | Combination of 1 x WBM2 & 1 x WBM3 | Combination of 2 x WBM3 | 1540 x 993 x 286 | 1540 x 1468 x 286 | Combination of 2 x FBM2 | Combination of 1 x FBM2 & 1 x FBM3 | Combination of 2 x FBM3 |
| Crate Height x Width x Depth (mm) | 300 x 1100 x 1100 | 300 x 1500 x 1100 | 300 x 1100 x 1100 | 300 x 1100 x 1100 | 300 x 1500 x 1100 | 300 x 1100 x 1100 | 300 x 1500 x 1100 | 300 x 1100 x 1100 | 300 x 1100 x 1100 | 300 x 1500 x 1100 |
| Combined carton weight (kg) | 94 | 130 | 188 | 224 | 260 | 100 | 140 | 196 | 230 | 266 |

*Internal installations require flueing and adequate ventilation, see page 14.

**External installations require the KMVC-100 Vent Cap, see page 14.

[^]Commercial applications only.



Bosch 32C Commercial Condensing Manifold Pack

| | Wall Mount | | | | | Floor Mount | | | | |
|---|--|---------------------------|-----------------------------|--|-----------------------------|---------------------------|---------------------------|-----------------------------|--|-----------------------------|
| Part Number | WBCC2NGSK /WBCC2LPSK | WBCC3NGSK /WBCC3LPSK | WBCC4NGSK /WBCC4LPSK | WBCC5NGSK /WBCC5LPSK | WBCC6NGSK /WBCC6LPSK | FBCC2NGSK /FBCC2LPSK | FBCC3NGSK /FBCC3LPSK | FBCC4NGSK /FBCC4LPSK | FBCC5NGSK /FBCC5LPSK | FBCC6NGSK /FBCC6LPSK |
| Part Number (50°C limited)# | WBCC2NG5SK /WBCC2LP5SK | WBCC3NG5SK /WBCC3LP5SK | WBCC4NG5SK /WBCC4LP5SK | WBCC5NG5SK /WBCC5LP5SK | WBCC6NG5SK /WBCC6LP5SK | FBCC2NG5SK /FBCC2LP5SK | FBCC3NG5SK /FBCC3LP5SK | FBCC4NG5SK /FBCC4LP5SK | FBCC5NG5SK /FBCC5LP5SK | FBCC6NG5SK /FBCC6LP5SK |
| Installation | Int* or Ext** | Int* or Ext** | Int* or Ext** | Int* or Ext** | Int* or Ext** | Int* or Ext** | Int* or Ext** | Int* or Ext** | Int* or Ext** | Int* or Ext** |
| Ignition | Electronic | Electronic | Electronic | Electronic | Electronic | Electronic | Electronic | Electronic | Electronic | Electronic |
| L/min (25°C rise) | 64 | 96 | 128 | 160 | 192 | 64 | 96 | 128 | 160 | 192 |
| Min. operating inlet water pressure (kPa) | 200 | 200 | 200 | 200 | 200 | 200 | 200 | 200 | 200 | 200 |
| Min. constant water pressure for Max. flow (kPa) | 200 | 200 | 200 | 200 | 200 | 200 | 200 | 200 | 200 | 200 |
| Max. inlet water pressure (kPa) | 900 | 900 | 900 | 900 | 900 | 900 | 900 | 900 | 900 | 900 |
| Mj/H | 434 | 651 | 868 | 1085 | 1302 | 434 | 651 | 868 | 1085 | 1302 |
| Temperature Range | BC3200RA – 55°C factory set Optional – 50°C, 75°C, 80°C by adjusting harness Optional – 37°C to 80°C with controller BC3200RA5 – 50°C limited Optional – 40°C, 42°C by adjusting harness Optional – 37°C to 50°C with controller# | | | | | | | | | |
| Star rating (Thermal Efficiency) | 6 (94%) | 6 (94%) | 6 (94%) | 6 (94%) | 6 (94%) | 6 (94%) | 6 (94%) | 6 (94%) | 6 (94%) | 6 (94%) |
| Antifrost | Standard | Standard | Standard | Standard | Standard | Standard | Standard | Standard | Standard | Standard |
| Gas Type | NG/LPG | NG/LPG | NG/LPG | NG/LPG | NG/LPG | NG/LPG | NG/LPG | NG/LPG | NG/LPG | NG/LPG |
| Parts and Labour Warranty^ | 2 Years | 2 Years | 2 Years | 2 Years | 2 Years | 2 Years | 2 Years | 2 Years | 2 Years | 2 Years |
| Heat Exchanger Warranty^ (part only) | 5 Years | 5 Years | 5 Years | 5 Years | 5 Years | 5 Years | 5 Years | 5 Years | 5 Years | 5 Years |
| Pipe Connection Size (mm) | 40 | 40 | 40 | 40 | 40 | 40 | 40 | 40 | 40 | 40 |
| Controller included | RCM3211 | RCM3211 | RCM3211 | RCM3211 | RCM3211 | RCM3211 | RCM3211 | RCM3211 | RCM3211 | RCM3211 |
| Quick Connection Cable included | KMQC0703339 | No | No | No | No | KMQC0703339 | No | No | No | No |
| System Controller included | No | KMSC201 | KMSC201 | KMSC201 | KMSC201 | No | KMSC201 | KMSC201 | KMSC201 | KMSC201 |
| Cable for system controller included | No | 0700073 x 2 | 0700073 x 3 | 0700073 x 4 | 0700073 x 5 | No | 0700073 x 2 | 0700073 x 3 | 0700073 x 4 | 0700073 x 5 |
| Manifold pack dimensions Height x Width x Depth (mm) | 1540 x 993 x 286 | 1540 x 1468 x 286 | Combination of 2 x WBCC2 | Combination of 1 x WBCC2 & 1 x WBCC3 | Combination of 2 x WBCC3 | 1540 x 993 x 286 | 1540 x 1468 x 286 | Combination of 2 x WBCC2 | Combination of 1 x WBCC2 & 1 x WBCC3 | Combination of 2 x WBCC3 |
| Crate Height x Width x Depth (mm) | 300 x 1100 x 1100 | 300 x 1500 x 1100 | 300 x 1100 x 1100 (x2) | 300 x 1100 x 1100 | 300 x 1500 x 1100 (x2) | 300 x 1100 x 1100 | 300 x 1500 x 1100 | 300 x 1100 x 1100 (x2) | 300 x 1100 x 1100 | 300 x 1500 x 1100 (x2) |
| Combined carton weight (Kg) | 110 | 154 | 220 | 264 | 308 | 110 | 154 | 220 | 264 | 308 |

*Internal installations require flueing and adequate ventilation, see page 8.

**External installations require the BCVC-100C Vent Cap, see page 8.

^Commercial applications only.

#Not available in New Zealand.